

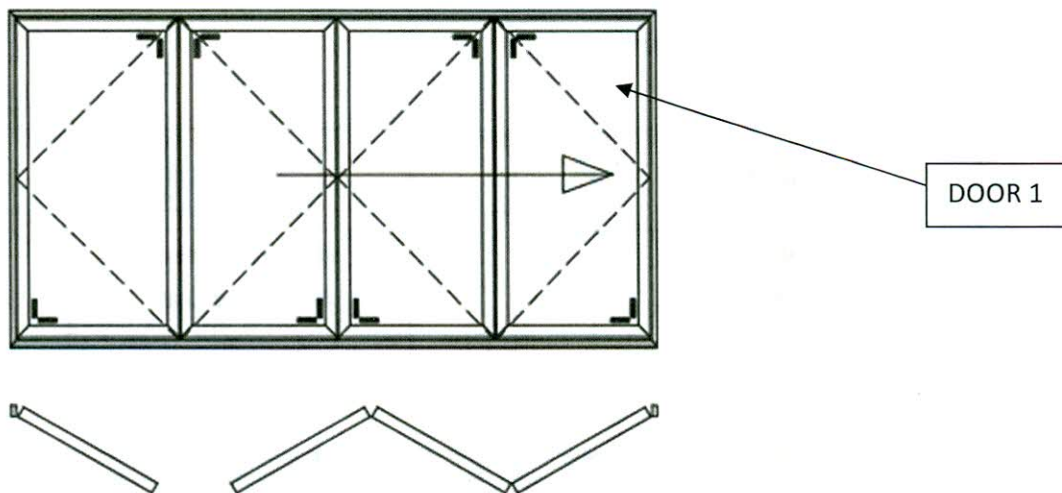


Bi-Folding Doors Fitting Instruction.

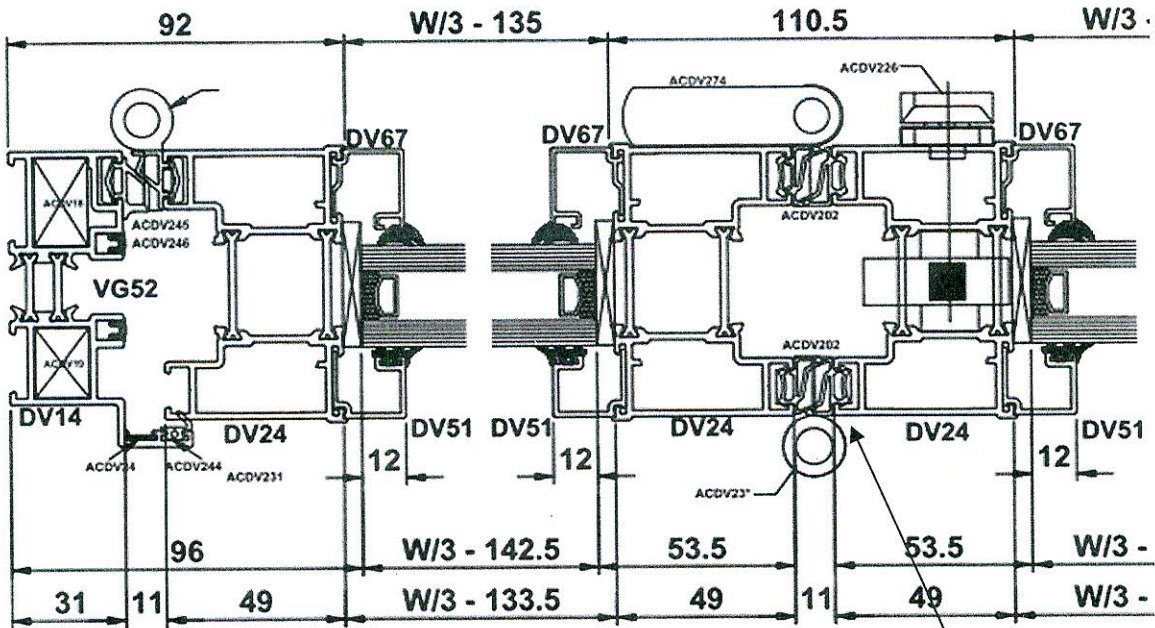
Before securing frame please ensure that the frame is Level, Plumb and Square. There are no adjustment on the hinges. If the above are not followed the doors will not fit.

When you are happy with the above, the doors on the plan are always viewed from outside and the main fixed door will be allocated as **door 1**.

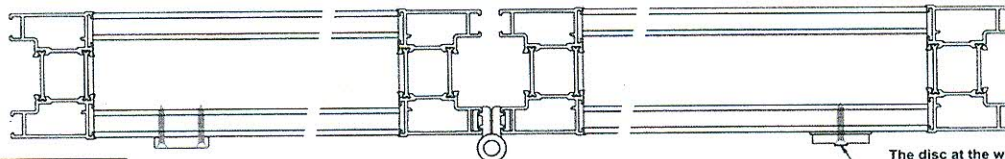
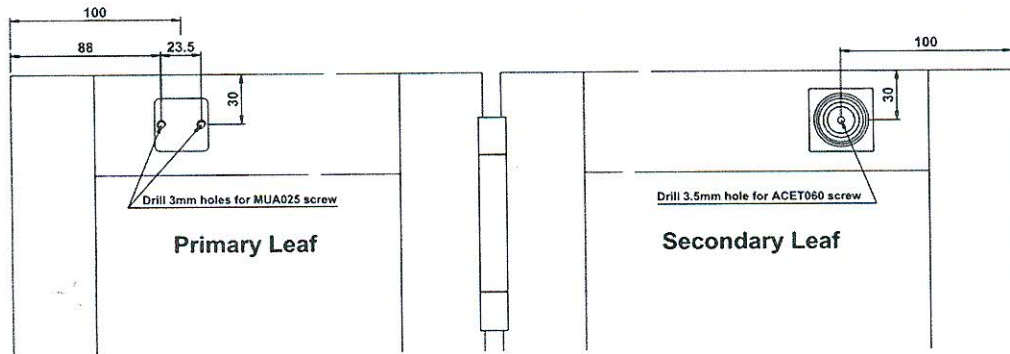
Below is a diagram of how the doors should be Toe and Heeled. As there is no adjustment in the hinge, this is the only way the doors can be adjusted. Please ensure that the gap between the top on the sash and the frame are the same top and bottom.



TYPICAL TOE & HEEL LOCATIONS



Please ensure the the maximum distance between sash to sash on the hinge is 11mm. If this distance is greater the 11mm it can cause the doors to reduce the opening for the last door and can cause the lock section to foul against the receiver.



The disc at the wider end of the catch unscrews to allow fixing.

WARNING - the catch is SPRING LOADED, take care when removing from base plate and point in a safe direction