

# Installation Guide



**Here at Liniar, we LOVE our Bi-Fold Plus range of folding-sliding doors.**

**We want to ensure that your customers love them too.**

**So we have created a new, detailed installation guide to ensure that our lovely doors are fitted the way they were intended...**

## **Survey and Installation**

There should be a solid structure to fix the frame jambs to, and above the frame there must be a lintel. No load is to be transferred to any part of the frame.

Perimeter of doorset to be continuously sealed using low modulus, high elasticity sealant.

Debris to be removed from all drainage channels, track and rolling mechanisms.

Installation to comply with all elements of BS8213-4 Code of practice for the survey and installation of windows and external doorsets.

# Step by step...

To ensure the correct function of any Bi-Fold Plus folding-sliding door it is imperative that the following instructions are followed.

## Special attention should be given when installing the frame.

1. We recommend that the sashes are removed from the frame before starting the installation.
2. Preparation of the opening should ensure that the frame cill is fully supported along its total length.



3. Suitable fixings should be used to secure the frame positioning 150mm to 250mm from each corner, then at a maximum of 600mm centres thereafter. Adequate support should be positioned between the brickwork and frame to prevent distortion when tightening the fixings.



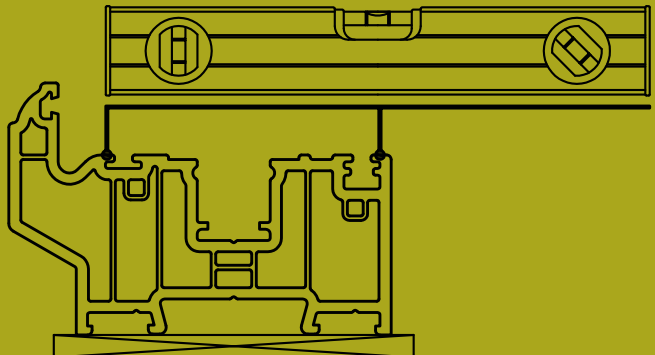
4. The frame cill must be fully supported along its length, level and without twist or distortion. Due to the nature of folding-sliding doors, most being over 2m in width, we would suggest a laser level or string line be used to ensure this.



Silicone sealant should be applied to the drilled holes on the frame cill before the fixings are inserted to prevent water seepage.



Level across 2 points indicated



Supporting packers along profile length

- 5.** The frame jambs should be secured 'in plumb' vertical and without any twist or distortion.



- 6.** The frame head should then be fixed ensuring that it is parallel with the cill, again without twist and distortion. This can be aided by the use of a timber 'lat' or similar, cut to the internal height of the frame rebate and positioned along the width as a guide whilst fixing the head.

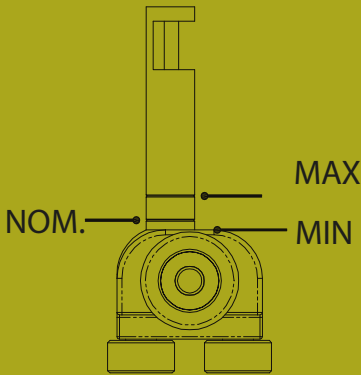


7. A final diagonal check should then be made.

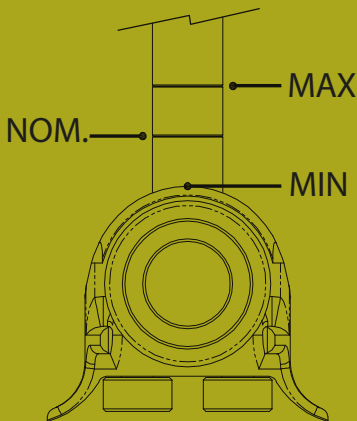
8. Replace sashes onto frame.

9. Bottom rollers can then be adjusted (using a 6mm allen key) to give an 8mm gap between the frame and sash edge at the bottom.

Single Roller



Double Roller



**10.** Top rollers should be adjusted to maintain compression/contact against the track.

Do not fully lock off the grub screw.

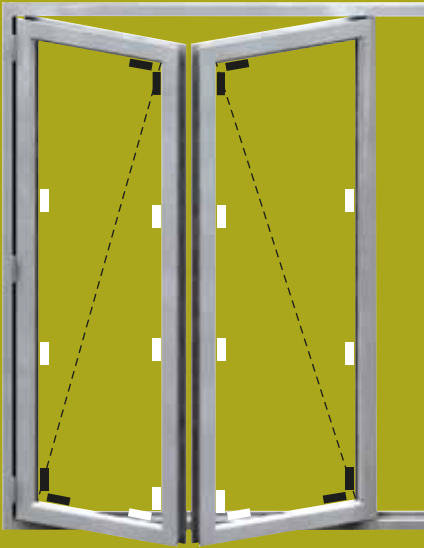


# 11. Commence glazing starting with the first hinged door onto the frame. • Each unit should be 'toe and heeled'.

All glazing must fall in line with the requirements of BS6262 and any recommendations of the glass manufacturers.

The correct use of glazing packers is critical to allow bi-folding doors to function correctly. The diagram to the bottom left shows both a left and right opening door and the position of the glazing packers. The dashed lines indicate the position of the load bearing packers for all of the typical assemblies.

It is essential that the glass stays in position and we therefore recommend that where necessary, the packers are siliconed into position. Ensure that all packers do not obstruct any drainage holes.

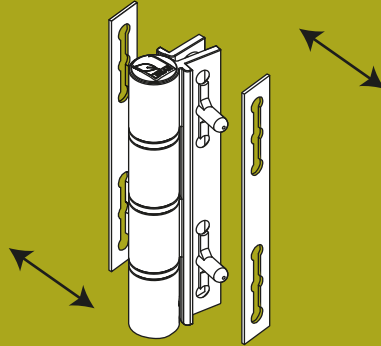


- Load bearing packers to keep door square and level
- Packing to prevent glass movement and provide rigidity to the door

**We strongly advise the use of our glazing platforms as illustrated above.**



- 12.** The nominal gap between the doors is 8mm. This can be adjusted to a minimum of 6mm and a maximum of 10mm by adding or removing the 1mm shim packers at each hinge point. The hinges have to be unscrewed in order to do this.



- 13.** Compression adjustment can be made by rotating the cap at the end of the shoot bolts. Loosen the lockingscrew first then lock off once adjusted.



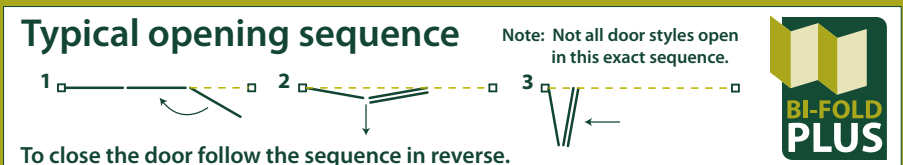
**14.** Any final adjustment then can be made to the bottom roller wheels position then lock off the grub screw.



**15.** Fitting of the magnets is crucial to the operation of the door.



**16.** It is the installer's responsibility to ensure that the end user is informed of the correct opening and closing sequence once the door is complete. Self adhesive labels are available to demonstrate this.



# Operating and maintenance

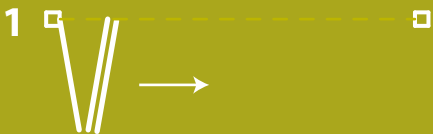
## Opening operation



Before step 2, the door must be fully engaged with magnets.



## Closing operation



Before step 2, locking mechanism must be fully engaged.



## Maintenance

- Roller mechanisms carrying the door panels are fitted with sealed stainless steel bearings and require no lubrication.
- Ensure top and bottom tracks are kept free from debris or obstacles which may impair the function of the product.
- Door locking mechanisms to be cleaned and any moving parts to be lubricated with a light machine oil at least once a year and more frequently where appropriate.
- For u-PVC parts clean regularly with soap and water.



**t.01332 883 900**

**sales@liniar.co.uk**

**www.liniar.co.uk**

Liniar Windows, Flamstead House,  
Denby Hall Business Park,  
Denby, Derbyshire, DE5 8JX