

Heavy Duty Eaves Beam

to support larger span bi-fold door openings



Synseal's new **Heavy Duty Eaves Beam** meets the demand for larger openings in conservatories

Bi-fold door tracks
New sizes available!

3m, 4.05m, 5m & 6.35m

Reduced waste - lower cost

Contact us today
for details

 **synseal**[®]

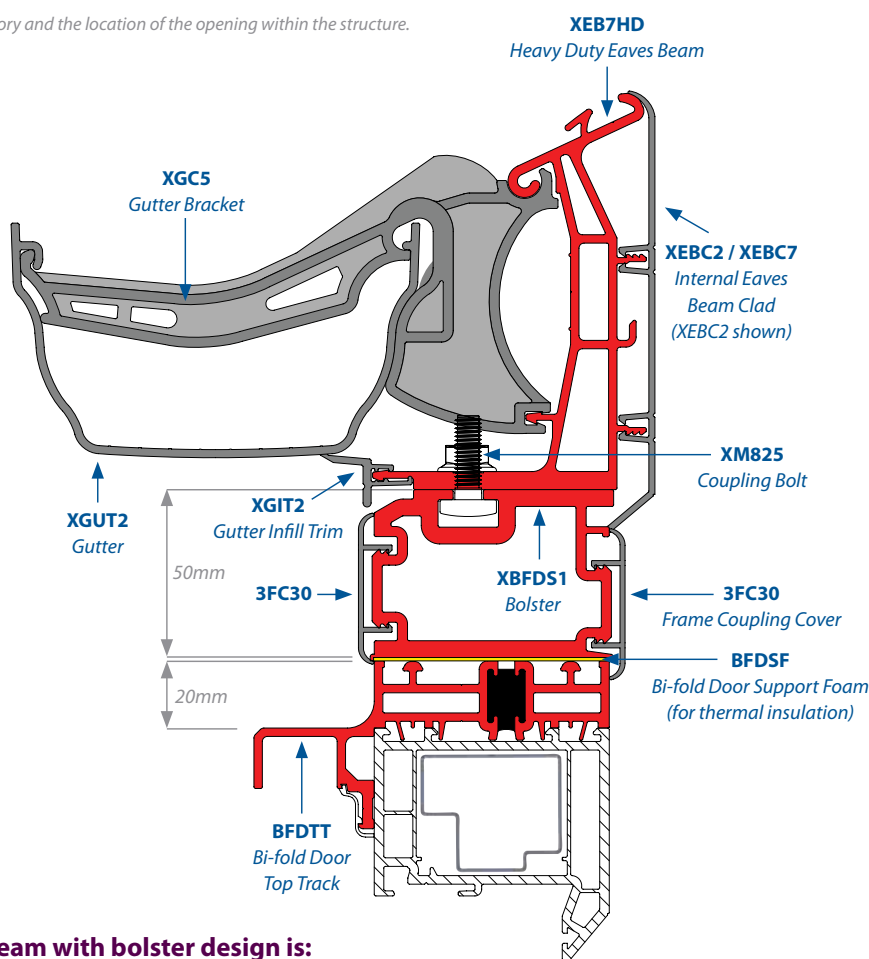
Tel: 01623 443200 www.synseal.com

Heavy Duty Eaves Beam

to support larger span bi-fold door openings

Homeowners can now buy much wider bi-fold doors that open up virtually the whole side of their conservatory to provide added space and flexible access to the garden. To ensure that these doors work effectively, Synseal have developed a Heavy Duty Eaves Beam as part of our professionally engineered self supporting roof system that will support an opening of up to 5m* in width. Technical details are shown opposite which are also available to download - visit www.synseal.com.

*Depending on the style of conservatory and the location of the opening within the structure.



Please note:

XM825 Coupling Bolts are required 50mm from each end of the Bolster and then at 250mm centres.

Please note:

Bi-fold Door Support Foam (BFDSF) needs to be applied between the Bolster and the Top Track.

The heavy duty eaves beam with bolster design is:

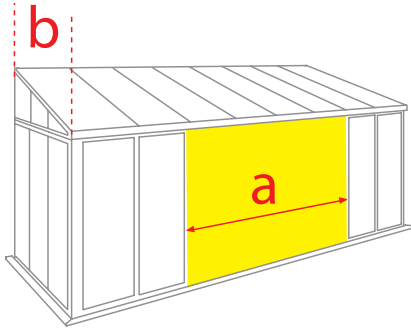
- Manufactured from aluminium with weather-resistant PVC-U claddings, available in a range of colours.
- Designed for flexibility of use and ease of installation, available in a choice of two profile lengths.
- The most cost-efficient support solution available, eliminating the need for expensive steel structures or the unnecessary expense of continuing the wide span support around all of the conservatory elevations, as frame height can be simply altered by 50mm on the remaining elevations to allow for the height of the Bolster (XBFDS1).

Code	Description	Length
XEB7HD-400	Heavy Duty Eaves Beam	4m
XEB7HD-605	Heavy Duty Eaves Beam	6.05m
XBFDS1-450	Bolster	4.5m
XBFDS1-600	Bolster	6m
XBFDSF-500	Bi-fold Door Support Foam (Roll)	50m

If you require extra wide span openings which are beyond the capability of the Synseal Heavy Duty Eaves Beam, please contact our Portal Frame Department who will be able to design and fabricate a structure to meet your requirements.

Front Elevation Lean-to Style

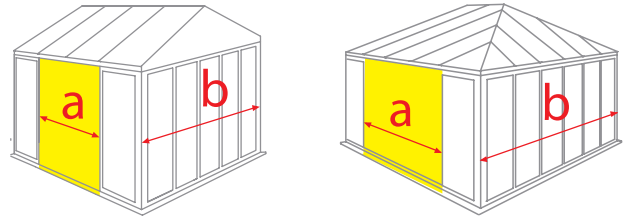
Doors into the front elevation of a Lean-to.



35mm Polycarbonate (0.6kn/m ²)						
Roof Span b (mm)	1000	2000	3000	4000	5000	5200
Opening Width a (mm)	5350*	4547	4109	3824	3616	3581
4mm Glass (0.6kn/m ²)						
Roof Span b (mm)	1000	2000	3000	4000	5000	5200
Opening Width a (mm)	4966	4176	3773	3511	3321	3288

Side Elevation with Tiebar

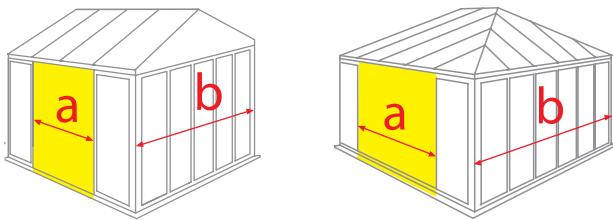
Doors on the side elevation of a Victorian, Georgian or Gable Style Conservatory with a Tiebar.



35mm Polycarbonate (0.6kn/m ²)						
Roof Span b (mm)	3000	3500	4000	4500	5000	6000*
Opening Width a (mm)	3719	3599	3508	3420	3349	3224
4mm Glass (0.6kn/m ²)						
Roof Span b (mm)	3000	3500	4000	4500	5000	5500
Opening Width a (mm)	3540	3428	3342	3257	3188	3120

Side Elevation without Tiebar

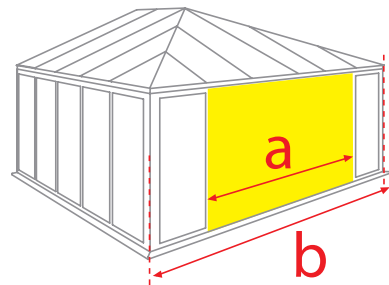
Doors on the side elevation of a Victorian, Georgian or Gable Style Conservatory without a Tiebar.



35mm Polycarbonate (0.6kn/m ²)						
Roof Span b (mm)	3000	3500	4000	4500	5000	6000*
Opening Width a (mm)	4977	4703	4547	4417	4327	4109
4mm Glass (0.6kn/m ²)						
Roof Span b (mm)	3000	3500	4000	4500	5000	5500
Opening Width a (mm)	4571	4319	4176	4056	3974	3857

Front Elevation** with or without Tiebar

Doors on the front elevation of a Georgian or Gable style conservatory with hip bars.



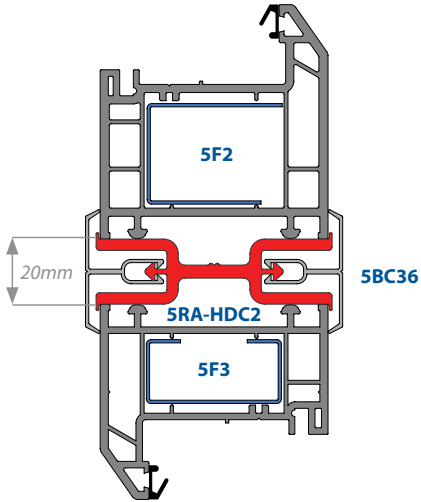
**The elevation between the Hip Bars and not the elevation that runs parallel with the Ridge.

35mm Polycarbonate (0.6kn/m ²)						
Roof Span b (mm)	3000	3500	4000	4500	5000	6000*
Opening Width a (mm)	2000	2500	3000	3500	4000	5000
4mm Glass (0.6kn/m ²)						
Roof Span b (mm)	3000	3500	4000	4500	5000	5500
Opening Width a (mm)	2000	2500	3000	3500	4000	4500

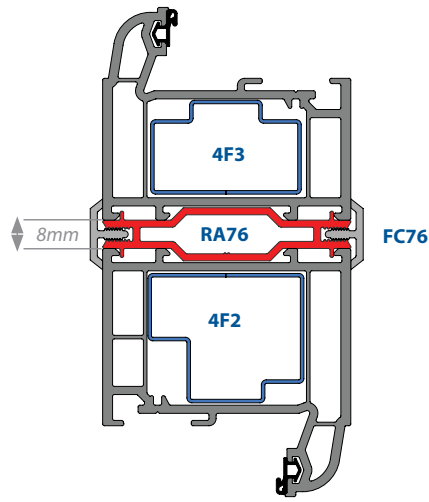
*Only available as a kit option direct from Synseal

Please note: The structural performances stated on the previous page rely on the combined Heavy Duty Eaves Beam and Bolster running the entire length of the elevation and supported on either side by a minimum 500mm width frame and either RA76 or 5RA-HDC2 coupler or equivalent structural aluminium coupler. To discuss alternative solutions that do not incorporate a 500mm width frame, please contact our specialist Portal Frame Department for further assistance. When using brick pillar support, the design and structural integrity is the responsibility of the conservatory designer due to the increased lateral and vertical loadings.

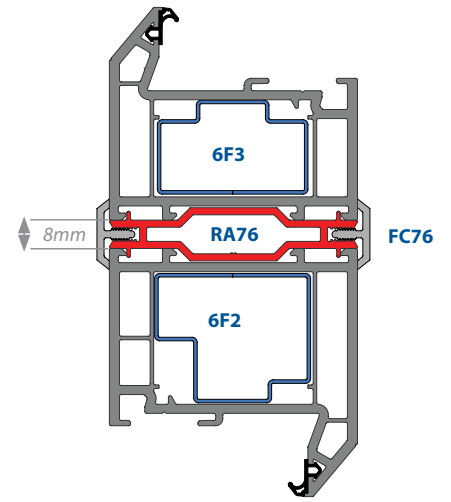
Structural couplers



5RA-HDC2 - suitable for Legend



RA76 - suitable for SynerJy



RA76 - suitable for Shield

